



上海狄昊实业发展有限公司
Shanghai Dihoo Industrial Development Co., Ltd.

HIGH PRESSURE CLEANER

DW-083BH



WARNING: READ THE INSTRUCTION CAREFULLY BEFORE OPERATION

Shanghai dihoo Industrial Development Co.,Ltd.
Add:Qingpu District 3841 Huqingping highway (Shanghai)
Add:Ningbo Yinzhou District Qiyun Road No. 1000 (Ningbo)
Contacts:wang di
Tel:0086 13586526531
E-mail:dh@dihoo.cc
Website:www.nb-huaxun.com



High pressure cleaner

Warning: Please read these instructions carefully before operation.

Application

The DW-083BH portable high pressure cleaner is a multifunctional machine with exceptional reliability & safety assurance. The DW-083BH may be used to wash and clean various kinds of buildings, vehicles, boats, paths, tiles and decks. The DW-083BH is not designed for commercial use.

Major Data

Model	DW-083BH
Rated pressure	55bar
Permissible pressure	80bar
Flow	5.5L/Min
Motor capacity	1400W
Power supply	230V/240V~50Hz
Max water Temperature	40°C
Motor Type	Brush

Safety Instructions

1. Do not use the appliance without reading the instruction sheet.

2. The DW-083BH is double insulated, an earth connection is not required. The rating voltage (V/Hz) of the appliance has to be in compliance with the local power supplying voltage. (220 ~ 240 Volts 50 Hz)
3. The unit must continuously run with water. Dry running will cause serious damages to the pump & seals. Cold water only must be used.
4. The unit has an auto-stop switch. When you release the trigger on the gun, the motor will stop. Squeezing the trigger will resume operation. Warning: Do not close the gun for more than 2 minutes without turning off the power; a continuous supply of cold water is required to avoid overheating of the machine. This machine should only be used for the purpose for which it was designed, any other uses should be considered improper and therefore, dangerous. The manufacturer should not be held responsible for any damages caused by improper, incorrect and irrational use.
5. Do not operate the machine in the rain or in a wet environment. It is strictly prohibited to let water leak into the machine.
6. Protect the unit against freezing. Avoid storing the machine in a cold place.

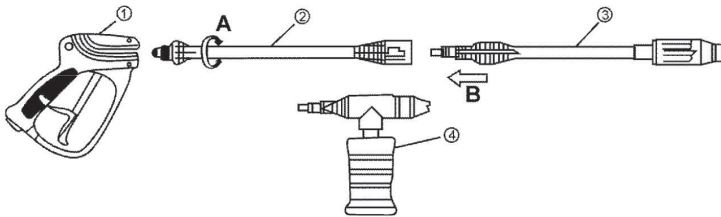
7. High-pressure jets can be dangerous if subject to misuse. The jet must not be directed at persons, live electrical equipment or the appliance itself.
8. Don't use the appliance within the range of persons unless they wear protective clothing.
9. Don't direct the jet against yourself or others in order to clean clothes or footwear.
10. High-pressure cleaner's should not be used by children or untrained personnel.
11. To ensure your safety, use only original spare parts from the manufacturer or parts approved by the manufacturer.
12. Don't use the appliance if the power cord or any important parts of the appliance are damaged, ex. Safety device, high-pressure hose, gun, etc.
13. If the supply cord or the internal wire is damaged, it must to be replaced by the manufacturer or its service agent or a similarly qualified person in order to avoid a hazard.
14. Before carrying out cleaning or maintenance operation, disconnect the machine from the electric main supply. When not in use, do not leave the unit connected to the mains and or water supply.

15. If an extension cord is used the, the cord should be suitable for outdoor use, any connections should be protected from water. Use of an RCD (Residual current device) is recommended.
16. For cleaning easily damaged surfaces (e.g. paint, chrome, vehicle tires) hold the spray nozzle back at a greater distance and clean with caution
17. Warning: Pressing the gun trigger causes a kickback force. Don't kink the high-pressure hose and remove loops.
18. Warning: Inadequate extension cords can be dangerous.
19. Warning: High pressure hoses, fittings and couplings are important for the safety of the appliance. Use only hoses, fittings and couplings recommended by the manufacturer.
20. Disconnect from the electrical power supply before carrying out user maintenance.
21. Through poor conditions of the electrical MAINS, voltage drop can appear when starting the EQUIPMENT. This can influence other equipment (e.g. blinking of a lamp). If the MAINS-IMPEDANCE $Z_{max} < 0.311 \text{ OHM}$, such disturbances are not expected. (In case of need, you may contact your local supply authority for further information).

Installation and use

Lance Assembly

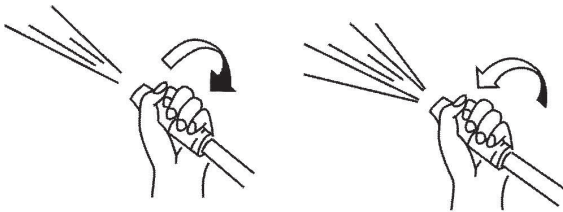
To fit the lance to the gun: Please fit the lance to the gun handle. It is sufficient to put the shaped top of the middle lance(pos.2) into the hole of the gun handle(pos.1), and press the middle lance in the direction of the arrow “A” and rotate it closely, then put the front lance (pos.3) into the hole of the middle lance in the direction of the arrow “B”. Please couple the foaming lance (pos.4) to the front lance (ref.1) In the same way.



ref.1

Use of nozzle

Spray angle can be adjusted. The spray angle can be varied from straight to fan by turning the nozzle of the high-pressure tube. (ref.2)



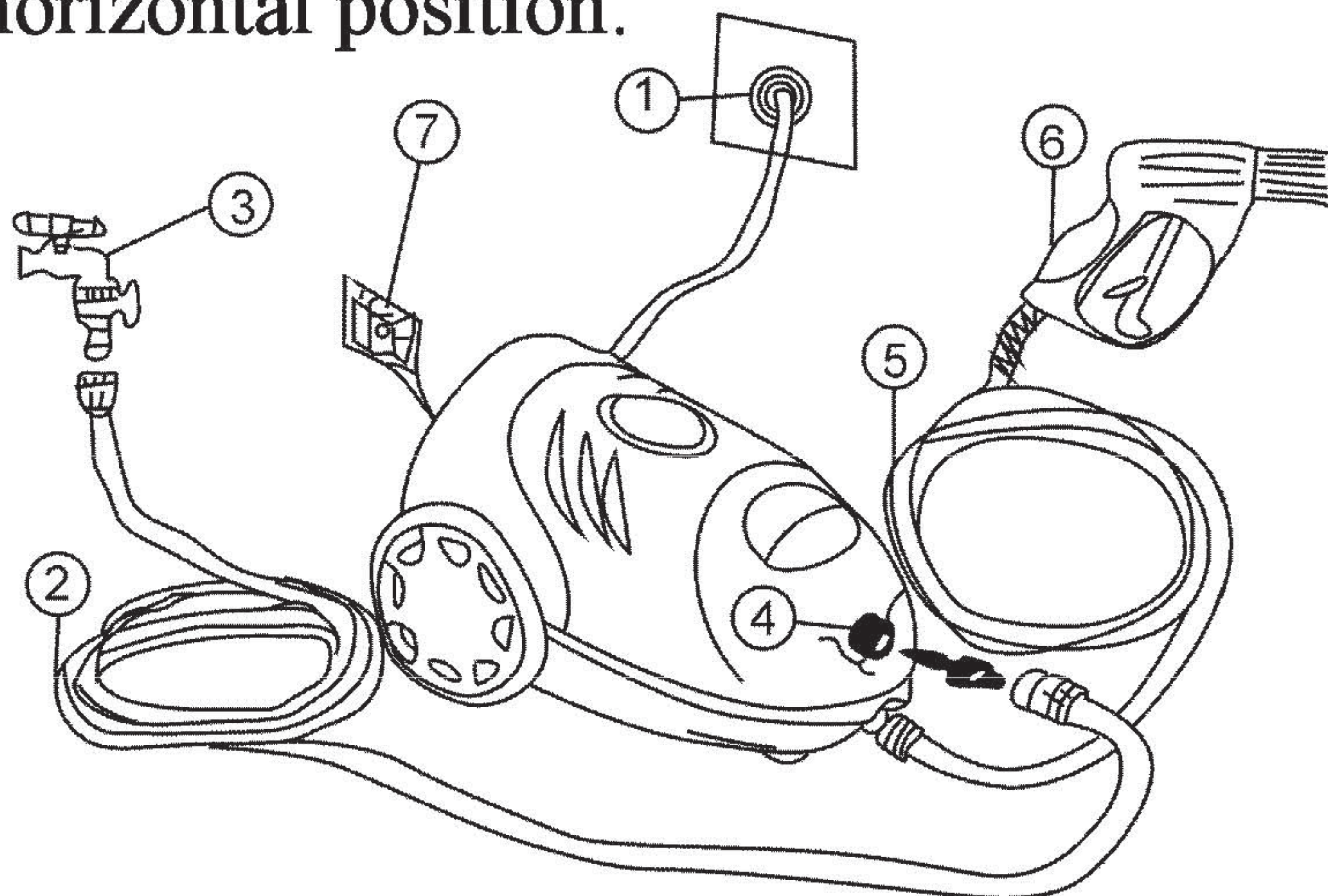
ref.2

Gun safety device

Safety lock whenever you need to stop the machine, it is necessary to use the safety lock, placed on the gun, in order to stop accidental operation.

Suitable use of the machine

1. High-pressure cleaner is suitable for washing with cold water to a maximum temperature of 40 °C ; higher temperature will damage the pump.
2. It is forbidden to apply any protections or modifications on the spraying lance or to the washing nozzles.
3. Whenever you use the high pressure cleaner, we suggest to gripping the gun in the right position, with one hand on the handle and the other hand on the lance.
4. The washer shall be placed on a safe and steady plane and in horizontal position.



Installation

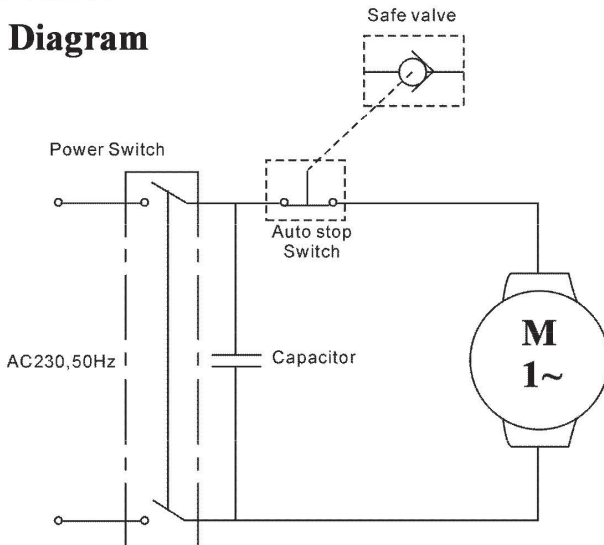
1. Check if the ON/OFF switch is in the “OFF” position (pos.7).
2. Connect the water service pipe (pos.2) to the suction pipe fitting INLET (pos.4) by making use of a stiffened tube with an inside diameter of at least 13mm(1/2”)
The water temperature must not exceed 40°C.
3. Put the lance in the spray gun (see ref.2).
4. Connect the high-pressure hose (pos.5) to the delivery pipe OUTLET and gun.
5. Open the water valve completely (pos.3).
6. Press the gun trigger (pos.6) so that the air and the possible pressure waste go out from the pipe.
7. Connect the plug to the socket (pos.1).
8. Start the equipment up, by turning the ON/ OFF switch in the “ON” position.

Maintenance

1. Lubrication: The cleaner is supplied with lubrication close system, so no addition of oil is needed.
2. Water suction filter checking: Check periodically in order to avoid deposits clogging it.

3. Long storage period if you foresee/expect to keep the machine in environments, where there is danger of ice/frost or if you don't use it for more than 3 months, we suggest to get the machine to intake an antifreeze before putting it away (similar to that used for cars). Furthermore, when you start the machine up small leakage can occur. This leakage will disappear after some hours of functioning.
4. Electric motor: The electric motor is equipped with a thermal switch. The motor will stop if it overheats, wait 5~10 minutes before starting it again.
5. Electric cable: Take care not to damage the electric cable. If it does become damaged, only professionally qualified personnel must be allowed to replace the electric cable.

Electric Diagram



Trouble shooting

Fault	Probable cause	Repair
When switch "ON" the machine will not start working	Electric socket is faulty	Check plug, socket and fuses
	The main voltage is insufficient	Check that the main voltage is adequate
	The pump is stuck	Turn the motor manually
	Thermal safety switch has Tripped	Switch off the unit and let the motor cool for a few minutes
The pump does not reach the necessary pressure	Water inlet filter is clogged	Clean the water inlet filter
	Pump sucking air form connections or hoses	Check that connections and locking ring are well tightened
	Suction/delivery valves are Clogged or worn out lance	Clean or replace valves
Fluctuating pressure	Nozzle incorrect or worn out	Check and/or replace
	Pump sucking air	Check that hoses and connections are right
	Valve dirty worn out or stuck	Clean or replace
The motor stops suddenly	Sealing worn out	Check and replace
	Thermal safety switch has stripped	Check that main voltage corresponds to the specifications
Water leaking from the pump	Due to the overheating	Switch off the unit and let it cool for a few minutes
	Sealing worn out	Check and replace
Loss of pressure	The nozzle is worn out	Replace the nozzle
	The valves are dirty or blocked	Check, clean or replace
	Adjusting valve seal is worn out	Check and replace
	Seals are worn out	Check and replace
	The filter is dirty	Check and clean
Noise	Air intake	Check the intake pipes
	Valves are worn out, dirty or blocked	Check, clean or replace
	Bearings are worn out	Check, clean or replace
	Extreme water temperature	Bring the temperature under 40°C
	The filter is dirty	Check and clean
Water is in the oil	O-ring(water and oil) are worn out	Check and replace
Water leakage from the head	Seals are worn out	Replace the seals
	O-ring(water and oil) are worn out	Replace the O-rings
When you turn the switch "ON", the engine buzzes, but it does not start	Net voltage (volt) is lower than the minimum suggested voltage	Check that the electric installation is suitable
	The pump is blocked	Turn the motor by hand
	Cable extension seems to be inadequate	Replace the extension with an adequate one

ENVIRONMENTAL PROTECTION



Waste electrical products should not be disposed of with household waste. Please recycle where facilities exist. Check with your Local Authority or retailer for recycling advice.